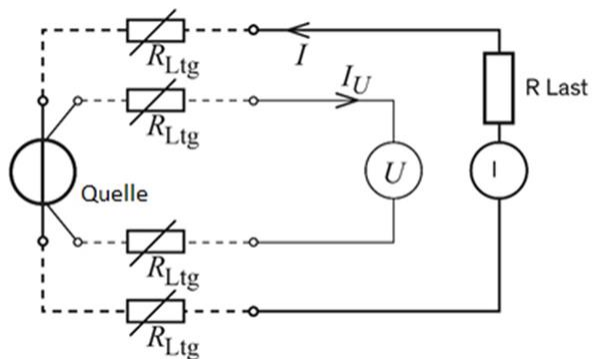


Sager Power Systems Product Showcase – February 2021

■ TRACO POWER



Choosing the right power supply for your design starts with accurate DC/DC converter measurements

Choosing between a Porsche 911 and a 4-wheel drive Jeep for an expedition through the South American rainforest is easy. Selecting the appropriate power supply isn't always as simple. Once the basic questions like what are the input and out voltages, which regulations need to be followed, and what are the environmental conditions for the application have been answered, we come to the more in-depth questions that [this article](#) from **Traco Power** investigates in more detail.

New and Featured Products from [Sager Power Systems](#)



TDK-Lambda
Trusted · Innovative · Reliable

i7A Series 750W Non-Isolated DC-DC Converters

TDK-Lambda's i7A series are step-down converters with 750W output power and an 18V to 60V input range. They are ideal for creating additional high current/high power 33A and 45A output voltage rails from a single output 24V, 36V, or 48V AC-DC or DC-DC power supply. The highly efficient i7A series has low ripple and excellent dynamic response under sudden load changes. These converters offer operating efficiencies of up to 98.5%, minimizing power losses and allowing operation in harsh ambient temperatures of -40°C to 125°C, even under low-airflow



TRACO POWER

THN 20WIR Series Harsh Environment 20W DC-DC Converters

TRACO Power's THN 20WIR series is a family of ruggedized 20 Watt DC/DC converters for highest reliability in harsh environments. The converters have a wide 4:1 input range and increased resistance against electromagnetic interference, shock/vibration and thermal shock. Its innovative design provides high efficiencies up to 91% enabling an operating temperature range from -40 to 65°C without derating. Built-in features include an internal EN 55032 class A filter, input undervoltage-lockout, short circuit



COSEL U.S.A. inc.

TUNS1200 1200W Low Profile Onboard Power Supplies

Cosel's TUNS1200 1200W Medical Power Supplies are available in 28VDC and 48VDC with a universal input up to 305VAC, covering 277VAC 1P applications, and offer efficiency up to 92%. The series has an aluminum base plate for easy conduction cooling and mounting. The power supplies meet medical safety certification 2XMOOP, EN60601-1 3rd. Ideal for applications where forced air is not available or where a low profile is required.

Features:



SL
POWER ELECTRONICS

Lean Line SLE Series AC Adapters

SL Power's SLE AC Adapters offer a 5V to 48V voltage range, 7A maximum current rating, and up to 89% efficiency rating. The SLE series features 6W, 12W, 18W, 24W, 36W, 48W, 65W, and 90W product families and meets class B conducted and radiated EMI standards. SL Power SLE AC Adapters are ideal for industrial, medical, and test and measurement applications. The Lean Line SLE series combines high quality, reliability and functionality with best-value pricing.

Features:

conditions. With a low output ripple and excellent dynamic response, the i7A's design reduces the number of required external components, saving cost and board space.

Features:

- Up to 750W in a 1/16th Brick pinout
- Up to 98.5% efficiency
- 3.3VDC to 18VDC or 3.3VDC to 24VDC output adjustment
- 18VDC to 32VDC or 18VDC to 60VDC input voltage ranges
- Low component count with minimal external components
- Minimal derating requirements in low airflow environments

[More info...](#)

protection, remote On/Off and output voltage trim.

Features:

- Compact 1" x 1" metal package
- EN 50155 and EN 61373 approval for railway applications
- IEC / EN / UL 62368-1 approvals for industrial electronics
- Qualification for fire behavior according to EN 45545-2
- 9VDC to 36VDC, 18VDC to 75VDC, or 36VDC to 160VDC 4:1 input voltage
- Full load -40°C to 65°C operation without derating
- Operating temperature range up to 85°C with derating

[More info...](#)

- Conduction cooled up to 100°C at the base plate
- Low-temperature operation down to -40°C
- UL, C-UL, (UL62368-1), CE and DEMKO(EN62368-1) safety certifications
- Constant current capability for battery charging, LED, and other CC applications
- Remote sense, power good signal, OCP, and OVP are standard
- 12@10mA AUX for remote ON/OFF and alarm signal
- Remote control
- Parallel or series operation
- Power factory correction up to 0.98

[More info...](#)

- 6W, 12W, 18W, 24W, 36W, 48W, 65W, and 90W product families
- Multiple configurations available (wall-mount, desktop, interchangeable blades)
- Targeting Tier II applications
- Medical and industrial safety certifications
- IEC/UL60601-1 (Medical) and IEC/UL62368 (Industrial/ITE)
- Meets Class B conducted and radiated EMI standards
- Meets heavy industrial and medical 4th edition EMC standards

[More info...](#)



Showcase Standouts



We have a guest contributor to our Showcase Standouts this month.

Judy Fraher, Distribution Sales Manager for Selmark Associates in Massachusetts, offered her Top Ten Reasons to check out the new COSEL TUNS1200F Series:

- AC-DC Converter with PFC suitable for conduction cooling
- Wide input voltage (AC85-305V)
- High density – High reliability: no built-in aluminum and tantalum electrolytic capacitor
- Built-in overcurrent, overvoltage, and thermal protection circuits
- N+1 parallel redundancy operation possible
- Output voltage can be varied to near 0V
- IT and Medical safety approvals
- Constant current mode for lighting or battery charging applications
- No tariff – manufactured in Japan
- And last, but not least...Sager Electronics carries inventory



Technical Team Corner

Meet Darren Hogan, Power Systems Sales Engineer for Sager Power Systems. Darren has been selling power products for twenty-one years.

Sales Territory: Northeast South

Education: Associate in Electrical Engineering, Bachelor in Business Management



What is the best part about being a Power Sales Engineer?

I enjoy working with my sales team and customers to find solutions for their needs. It makes every day unique and different even though it sometimes has its challenges. Being able to utilize all the knowledge and experiences I have been exposed to over the past 20+ years is very rewarding.

Any other information that would be interesting for readers: I am an Eagle Scout.

Fun fact:

In the warmer months, I spend time on my pontoon boat. I installed LED strip lights that change colors and flash to the beat of the music - party on! Stop on by if you're ever in Connecticut.





Contact a Sager Power Systems representative for more information: (866) 588-1750 or power@sager.com.



PERFECTING POWER · THINK THERMAL · POWER YOUR WAY · DISTRIBUTING CONFIDENCE